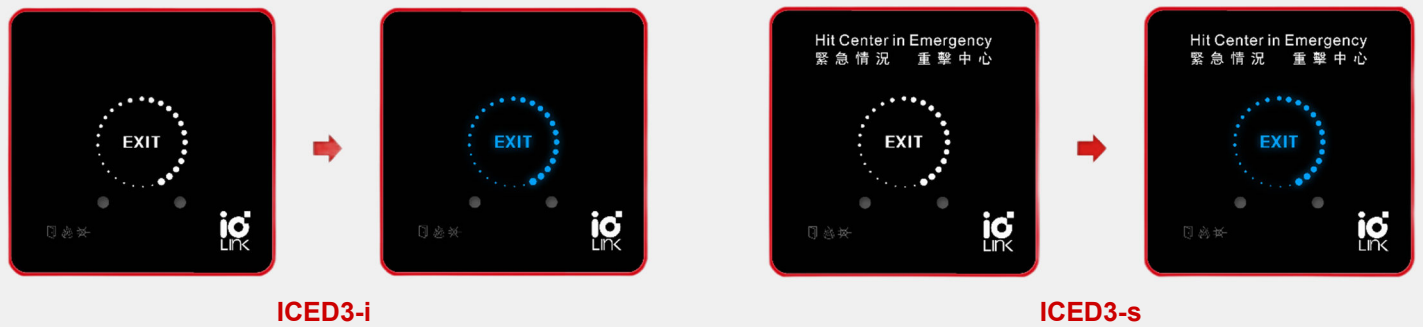


idLink ICED-3 Series



Intelligent Control Egress Device Series 3

Design Philosophy

- ◆ **All-in-One design:** An integrated door opening unit with Dual-Tech Contactless Egress Button, Built-in Break Glass (S version) & TCP/IP for cloud ID authentication, plus an option to use single door controller for Wiegand door opening.
- ◆ **Flexibility:** Offer a wide choice of SIM slot for 4G wireless connection, WiFi and Bluetooth module as an option to enhance the flexibility of network communications
- ◆ **With SIM / WiFi module:** If TCP/IP wiring is not possible, ICED3 can connect back to the System via SIM / WiFi. This will make the whole installation even more simple and cost saving.
- ◆ **With Bluetooth module:** If ICED3 is equipped with Bluetooth module, it will have the following extra functions:
 - Configuring it as an 'In BLE reader' eliminates the need for the IN reader, resulting in cost savings.
 - Control a specially designed retrofit BLE battery-powered indoor lock. The lock supports a clutch for the outside handle, key override (in case of any electronic failure), a C-type connection for a power bank (in case the battery is depleted), a door status sensor, and provides free access inside (allowing users to exit the premises in emergencies). This feature simplifies the entire installation process of an access point.
(Upcoming Product)

Egress Technology & Functions

- ◆ **Innovative design:**
 - Exit button design with dual technologies (Capacitive and Infra-Red), which preventing false trigger interfered by ventilation, sunlight, flashlight, white objects (white paper), interference; and with sensible range from 5 to 8 cm.
 - Built-in local audible alarm sounder and visual flashing light.
 - Activate the Exit button three times within 5 seconds can suppress/silent the local alarm.
- ◆ **“S” version supports:**
 - Built-in “Break Glass”, which cut the power to the electric lock mechanically and support “Test key”.
 - Support “Fire Alarm” input, which cut the power to the electric lock via a relay.
- ◆ **User-friendly:** Change of Indicator Light with an Audible Tone when activate.

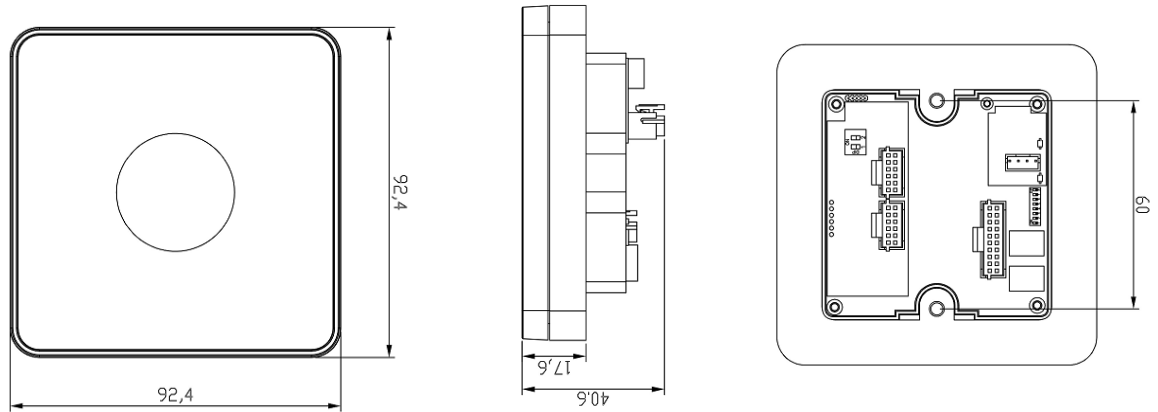
Door Controller Functions

- ◆ Option to configure as Standalone or Network mode via SIM, Wi-Fi or TCP/IP Network.
- ◆ Supports IN/OUT Readers. (HTTP, Wiegand or OSDP)
- ◆ Internet connection is standard configuration.
- ◆ “Anti-bounce back” design when unlock. *

Model	ICED3- i	ICED3- s
Functions		
Functional Specification		
Contactless Exit Button	Infrared + Capacitive	
Typical Sensible range	5 - 8 cm	
Contactless Exit indication	Backlit color changes from Blue to Green with a beep sound	
Tamper Protection	When cover is removed, it will trigger the tamper alarm	
Indicator(s)	DHO, Fire Alarm, Mains failure	
Door Help Open	Dry contact input from controller, Blue when active, beep once every 5 seconds	
Buzzer control	Can use SW to turn ON or OFF for REX (Exit button) activation and DHO (Door Held Open) only	
Fire Alarm Input	Trigger built-in Sounder & Alarm relay output	Trigger built-in Sounder, Alarm relay output & Disconnect the Lock power via relay
Break Glass	N/A	Hit the center of the front cover. Lock power will be cut off mechanically
Electric Lock power bypass relay	N/A	30Vdc with 1A (Max.)
Mains Failure (When battery is used)	Requires Power Supply providing AC failure output. Once triggered, icon blink in orange color for 10 minutes. If the input is not reset, it will trigger the built-in Sounder	
Definable Alarm Output	NC/NO 30Vdc @ 1A (Max.) (dry contact)	
Suppress Local Alarm	Activate the Exit function 3 times within 5 seconds	
Communication	TCP/IP (100M); 4G SIM; RS485 X 2	
Domain Name	Supports	
WiFi / SIM Module	Supports (optional)	
Bluetooth Module	Supports (optional)	
Function Cards	Add/Delete/Clear (Standalone mode)	
Card Capacity	Network Mode: up to 20,000 card number Standalone Mode: up to 2048 card number	
Audit Record	500,000 offline events	
Reader Connection	Wiegand or OSDP*	
IN/OUT Reader	Support	
Dimension	92 (L) X 92 (W) X 41 (H) mm	
Installation Gang Box	Required, Full depth Gang Box	
Weight	180g	

Technical Illustrations

ICED3 Dimension Diagram:



ICED3 with IN reader & TCP/IP (WiFi / 4G SIM optional)

